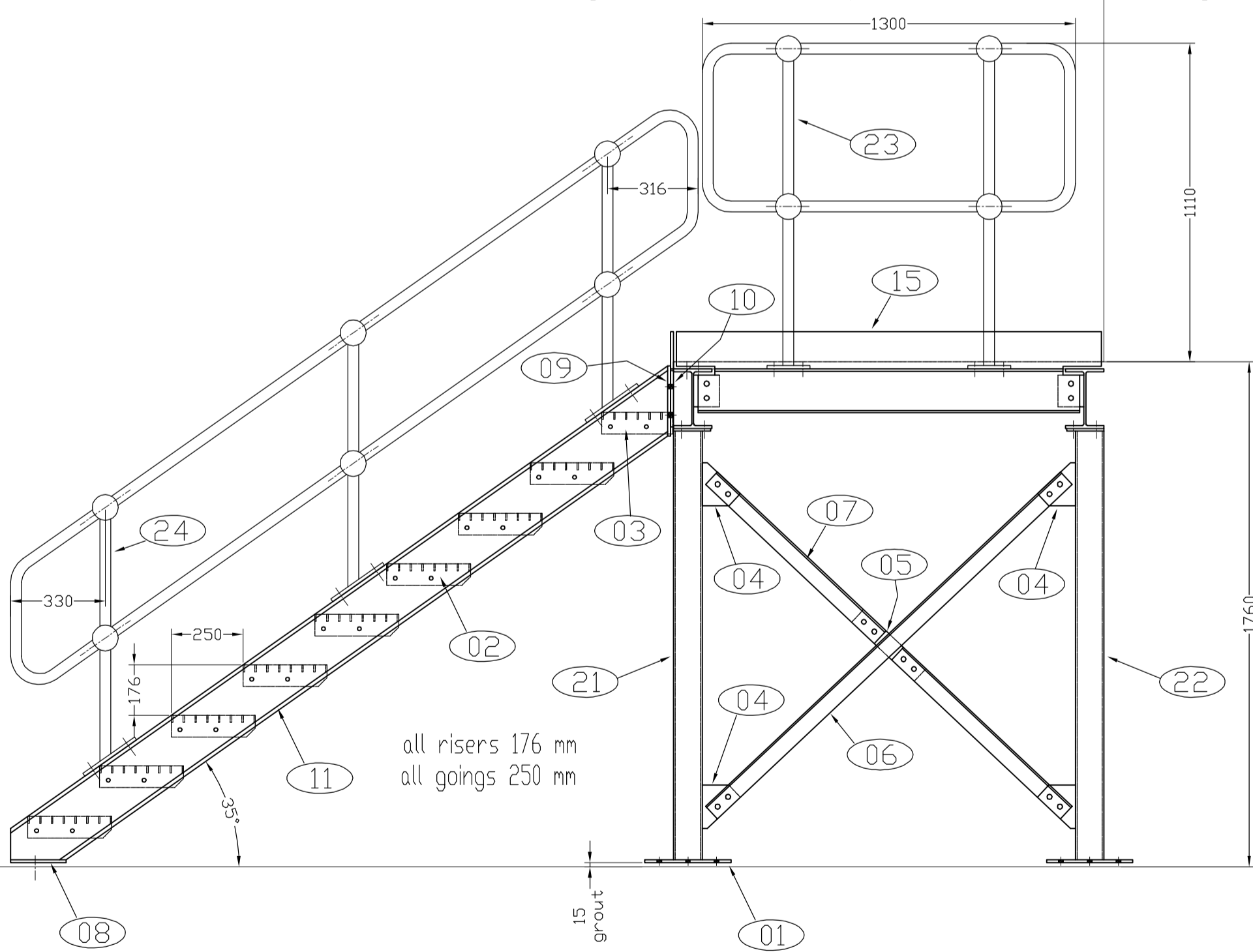


A
see drawing -03



all risers 176 mm
all goings 250 mm

ISS. No.	Reason For Issue	Date
01	First Issue	22-02-03

This drawing and any information or descriptive matter contained therein are the confidential and exclusive property of W.F. Whilford & Son Limited, and shall be returned on request. Neither the drawing nor the information contained herein shall be used for any manufacturing or tendering purposes without their written consent.

Wm. Whilford & Ltd.
Lime Road,
Broadmeadow Ind. Estate,
Dunbarton G82 2EL
(01389) 734277
(01389) 927779

Drawn
John Park
Tel. & Fax. No.
01698-263756
Mobile 0781-861547
* * * mail: jpark@whilford.co.uk
web: www.whilford.co.uk

CLIENT **Charles Scott**

PROJECT NO. **25182**

DRAWING NUMBER **Whil.15-01** SCALE **N.T.S.** ISSUE No. **02**

TITLE **Stair / Landing**

DRAWN BY **John Park** DATE **22-02-03** APP'D BY